



6235/6235A

SOFT SERVE FREEZER

Two Flavor, Countertop, Digital Controls

Powerful and Versatile

Two-flavor medium capacity countertop model for ice cream, frozen yogurt and much more

Fast Freeze Down

Patented high efficiency heat exchanger allows fast freeze down with low energy consumption

Digital Control and Display

Microprocessor control provides access to system settings and additional functions. Digital interface displays critical info as system status, temperatures, dispense count, errors, etc.

Low Mix Indicator

Light turns "ON" at low mix to alert operator to add mix

Self Closing Dispensing Valve

Automatically prevents product overflow after dispense

Dispense Speed Control

Provides flexibility in dispense rate control for different applications

Ideal for any medium capacity outlets to serve soft ice cream, frozen yogurt, gelato or sorbet.

Fully loaded with all standard options.



Hopper Agitators

Maintain product consistency and prevent product separation

Auto Programming

Allows automatic switching of operation modes based on preset schedules

Standby

Maintains product temperature in both mix hopper and freezing cylinder below 4.4°C (40°F) overnight

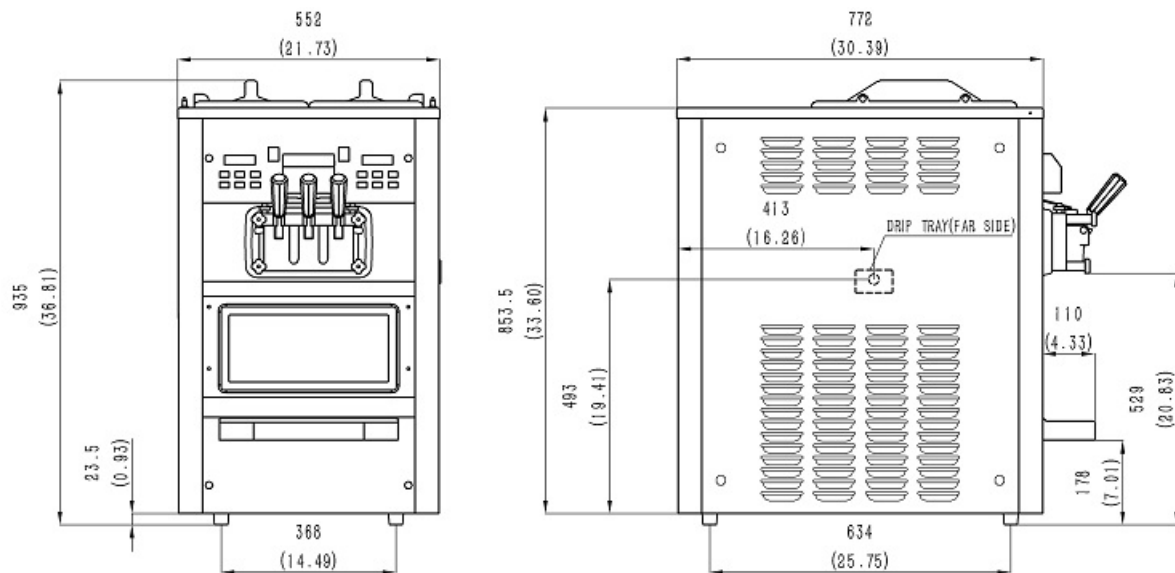
Safety Protections

- Low temperature and motor overload shutoffs to protect in the event of cylinder freeze up
- High pressure switch to prevent compressor overheating
- Thermal overload to protect from motor overheating



6235 / 6235A

SOFT SERVE FREEZER



SPECIFICATIONS

Flavors	2 + Twist
Freezing Cylinders	2 x 1.7L / 1.8qt
Mix Hoppers	2 x 12L / 12.7qt
Output Capacity (80 grams)	450 serves/hr
Clearance Requirements	152mm/6" on back

Weight

	Kg/lb (Gravity)	Kg/lb (Pump)
Net	175 / 389	185 / 411
Shipping	190 / 422	200 / 444

Volume 0.62 CBM / 21.76 CBF

Dimensions

	Net (mm/in)	Shipping (mm/in)
Width	552 / 21.7	620 / 24.4
Depth	772 / 30.4	930 / 36.6
Height	935 / 36.8	1070 / 42.1

Electrical

	MFS	MCA	Power(kW)
220-240/50/1	30	20	3.0
208-230/60/1	30	24	3.0
208-230/60/3	20	16	3.0

• Above specifications are subject to change without notice

FEATURES

Control Systems	Two, Digital
Refrigerated Hoppers	<input checked="" type="checkbox"/>
Hopper Agitator	<input checked="" type="checkbox"/>
Temperature Display	<input checked="" type="checkbox"/>
Standby Mode	<input checked="" type="checkbox"/>
Auto Closing Dispensing Valves	<input checked="" type="checkbox"/>
Dispensing Speed Control	<input checked="" type="checkbox"/>
Low Mix Indicator Light	<input checked="" type="checkbox"/>
Low Mix Indicator Alarm	<input checked="" type="checkbox"/>
Low Temperature Protection	<input checked="" type="checkbox"/>
Motor Amperage Protection	<input checked="" type="checkbox"/>
High Pressure Protection	<input checked="" type="checkbox"/>
Thermal Overload Protection	<input checked="" type="checkbox"/>

AVAILABLE OPTIONS

Water cooled	<input checked="" type="checkbox"/>
Top Air Discharge Chute	<input checked="" type="checkbox"/>
Spinner	<input checked="" type="checkbox"/>
Soft Start	<input checked="" type="checkbox"/>
Custom Branding	<input checked="" type="checkbox"/>
Light Box	<input checked="" type="checkbox"/>
Remote Auto Fill	<input checked="" type="checkbox"/>