



# 6228B-C 6228AB-C

## SOFT SERVE FREEZER

1 Flavor, Countertop, Pasteurization  
A: Pump Feed Model



Most **Compact & Powerful**  
medium capacity counter model  
with **Auto-Pasteurization**  
and intelligent control

### Auto-Pasteurization

Significantly reduces frequency of cleaning to every 21 days with scheduled daily auto-pasteurization

### Digital Control and Display

Microprocessor control provides access to system settings and additional functions. Digital interface displays critical info as system status, temperatures, dispense count, errors, etc.

### Operation Logging

Logs every operation and error to provide history and data for easy troubleshooting

### Auto Programming

Allows automatic switching of operation modes based on preset schedules

Ideal for any restaurants, convenience stores, dessert stands and delis to serve ice cream and gelato but with desire for significant reduction in labor cost of cleaning.

### Hopper Agitator

Maintain product consistency and prevent product separation

### Defrost for Cleaning

Increases efficiency during cleaning by heating frozen product in cylinder

### Direct Drive Transmission

Eliminates consumable moving parts and increases transmission efficiency

### Safety Protections

- Low temperature and motor overload shutoffs to protect in the event of cylinder freeze up
- High pressure switch to prevent compressor overheating

### Refresh and Revive

Restore perfect consistency automatically to reduce product waste and labor cost while ensuring food safety

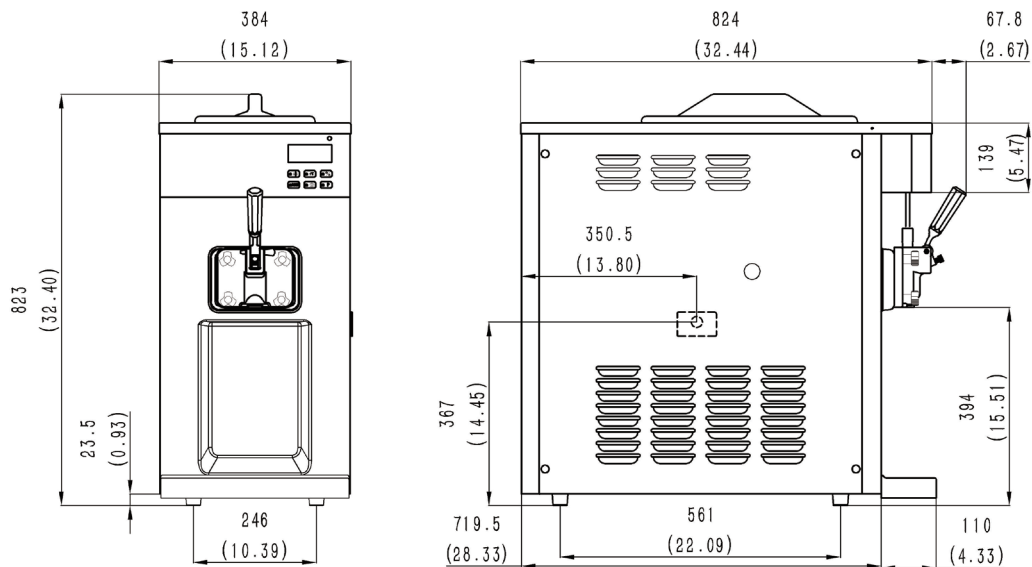
### Self Closing Valve with Speed Control

Automatically prevents product overflow after dispense; Provides flexibility in dispense rate control



# 6228B-C/6228AB-C

# SOFT SERVE FREEZER



## SPECIFICATIONS

Flavors	1
Freezing Cylinders	1x1.7L / 1.8qt
Mix Hoppers	1x15L (10L for A)
Output Capacity (80 grams)	300 serves/hr
Clearance Requirements	152mm/6" on back

## Weight

	Kg/lb	Kg/lb (Pump)
Net	119 / 262	124 / 276
Shipping	132 / 291	137 / 305

Volume 0.47 CBM / 16.62 CBF

## Dimensions

	Net (mm/in)	Shipping (mm/in)
Width	384 / 15.1	500 / 19.7
Depth	720 / 28.3	870 / 34.3
Height	823 / 32.4	1080 / 42.5

## Electrical

	MFS	MCA	Power (kW)
220-240/50/1	25	16	2.3
208-230/60/1	30	18	2.5

## FEATURES

Control System	Single, Digital
Refrigerated Hopper	✓
Hopper Agitator	✓
Temperature Display	✓
Standby Mode	✓
Auto Closing Dispensing Valve	✓
Dispensing Speed Control	✓
Low Mix Indicator Light & Alarm	✓
Low Temperature Protection	✓
Motor Overload Protection	✓
High Pressure Protection	✓
Defrost & Refresh	✓
Soft Start	✓
Direct Drive Pump	✓
Auto-Pasteurization	✓

## AVAILABLE OPTIONS

Water Cooled	✓
Top Air Discharge Chute	✓
Cart (Trolley)	✓

• Above specifications are subject to change without notice