



6228-C/6228A-C

SOFT SERVE FREEZER

Single Flavor, Countertop, Digital Control
A: Pump Feed Model

Powerful and Versatile

Single flavor medium capacity countertop model for ice cream, frozen yogurt and much more

Fast Freeze Down

Patented high efficiency heat exchanger allows fast freeze down with low energy consumption

Digital Control and Display

Microprocessor control provides access to system settings and additional functions. Digital interface displays critical info as system status, temperatures, dispense count, errors, etc.

Auto Programming

Allows automatic switching of operation modes based on preset schedules

Standby

Maintains product temperature in both mix hopper and freezing cylinder below 4.4°C (40°F) overnight

Hopper Agitator

Maintain product consistency and prevent product separation

Ideal for medium capacity outlets to serve ice cream, frozen yogurt, gelato or sorbet. Fully loaded with all standard options. Small footprint saves counter space.



Soft System Start

Slow motor start reduces equipment noise and stress on drive train

Direct Drive Transmission

Eliminates consumable moving parts and increases transmission efficiency

Defrost for Cleaning

Increases efficiency during cleaning by heating frozen product in cylinder

Quick Freeze

Turn on freeze immediately to freeze down to serving viscosity when quick service is required after long idle period

Self-closing Valve with Speed Control

Automatically prevents product overflow after dispense; Provides flexibility in dispense rate control

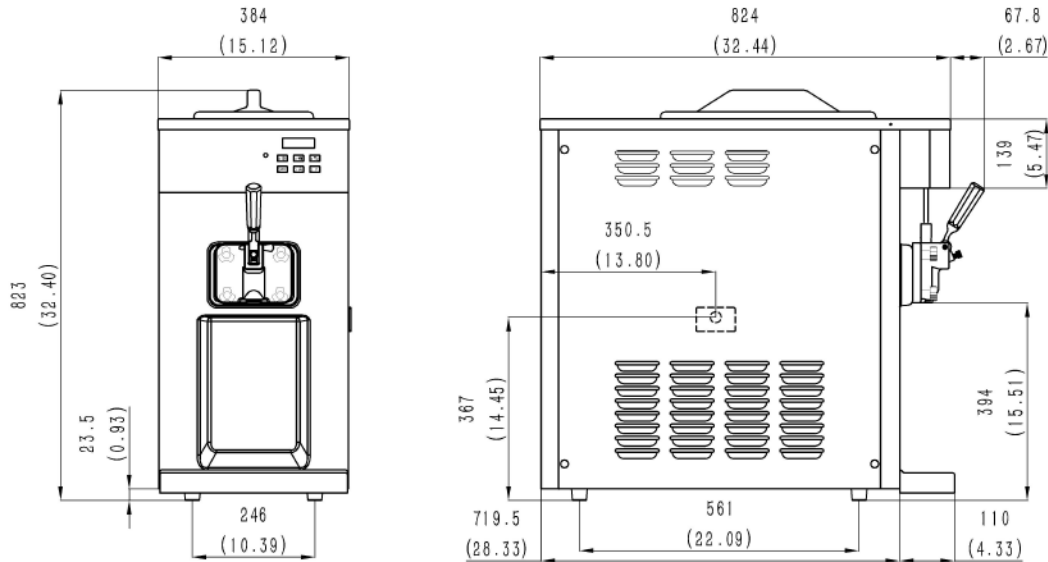
Safety Protections

- Low temperature and motor overload shutoffs to protect in the event of cylinder freeze up
- High pressure switch to prevent compressor overheating



6228-C / 6228A-C

SOFT SERVE FREEZER



SPECIFICATIONS

Flavors	1
Freezing Cylinders	1x1.7L / 1.8qt
Mix Hoppers	1x15L (10L for A)
Output Capacity (80 grams)	300 serves/hr
Clearance Requirements	152mm/6" on back

Weight

	Kg/lb (Gravity)	Kg/lb (Pump)
Net	115 / 256	120 / 267
Shipping	127 / 283	132 / 293

Volume 0.47 CBM / 16.62 CBF

Dimensions

	Net (mm/in)	Shipping (mm/in)
Width	384 / 15.1	500 / 19.7
Depth	720 / 28.3	870 / 34.3
Height	823 / 32.4	1080 / 42.5

Electrical

	MFS	MCA	Power(kW)
220-240/50/1	15	11	2.2
208-230/60/1	20	13	2.5

FEATURES

Control System	Single, Digital
Refrigerated Hopper	✓
Hopper Agitator	✓
Temperature Display	✓
Standby Mode	✓
Auto Closing Dispensing Valve	✓
Dispensing Speed Control	✓
Low Mix Indicator Light & Alarm	✓
Low Temperature Protection	✓
Motor Overload Protection	✓
High Pressure Protection	✓
Defrost & Quick Freeze	✓
Soft Start	✓
Direct Drive Pump (A only)	✓

AVAILABLE OPTIONS

Water Cooled	✓
Top Air Discharge Chute	✓
Cart (Trolley)	✓

• Above specifications are subject to change without notice

SPACEMAN USA

224 Commerce St. Unit A1,
Broomfield, CO 80020

PHONE: +01 720-328-1020 FAX: +01 720-528-8113
Email: sales@spacemanusa.com
www.spacemanusa.com