



6234AB-C

SOFT SERVE FREEZER

Two Flavor, Countertop, Pump, Auto-Pasteurization

Most **Compact & Versatile** two-flavor countertop model with **Auto-Pasteurization** and intelligent controls

Auto-Pasteurization

Significantly reduces frequency of cleaning to every 21 days with scheduled daily auto-pasteurization

Digital Control and Display

Microprocessor control provides access to system settings and additional functions. Digital interface displays critical info as system status, temperatures, dispense count, errors, etc.

Operation Logging

Logs every operation and error to provide history and data for easy troubleshooting

Auto Programming

Allows automatic switching of operation modes based on preset schedules

Ideal for any restaurants, convenience stores, dessert stands and delis to serve ice cream and gelato. Small foot print and low energy consumption help reduce operating cost.

Hopper Agitators

Maintain product consistency and prevent product separation

Defrost for Cleaning

Increases efficiency during cleaning by heating frozen product in cylinder

Direct Drive Transmission

Eliminates consumable moving parts, significantly reduces noise and increases transmission efficiency

Safety Protections

- Low temperature and motor overload shutoffs to protect in the event of cylinder freeze up
- High pressure switch to prevent compressor overheating

Quick Refreeze

Turn on freeze immediately to freeze down to serving viscosity when quick service is required after long idle period

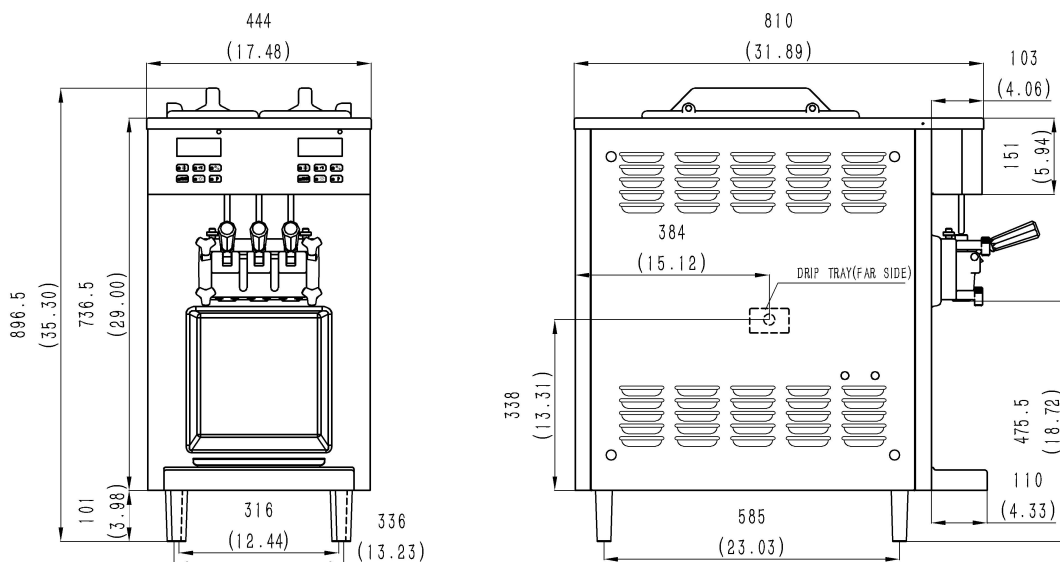
Self Closing Valve with Speed Control

Automatically prevents product overflow after dispense; Provides flexibility in dispense rate control



6234AB-C

SOFT SERVE FREEZER



SPECIFICATIONS

Flavors	2 + Twist
Freezing Cylinders	2 x 1.2L / 1.3qt
Mix Hoppers	2 x 8.0L / 8.5qt
Output Capacity (80 grams)	280 serves/hr
Clearance Requirements	None

Weight Kg/lb

Net	145 / 322
Shipping	160 / 356
Volume	0.48 CBM / 16.95 CBF

Dimensions Net (mm/in) Shipping (mm/in)

Width	444 / 17.5	530 / 20.9
Depth	810 / 31.9	830 / 32.7
Height	897 / 35.3	1080 / 42.5

Electrical MFS MCA Power(kW)

220-240/50/1	20	12	2.3
208-230/60/1	20	12	2.3

FEATURES

Control Systems	Double, Digital
Refrigerated Hoppers	✓
Hopper Agitator	✓
Temperature Display	✓
Standby Mode	✓
Auto Closing Dispensing Valves	✓
Dispensing Speed Control	✓
Low Mix Indicator Light & Alarm	✓
Low Temperature Protection	✓
Motor Overload Protection	✓
High Pressure Protection	✓
Defrost & Quick Refreeze	✓
Soft Start	✓
Direct Drive Pump	✓
Auto-Pastuerization	✓

AVAILABLE OPTIONS

Water Cooled	✓
Cart (Trolley)	✓

• Above specifications are subject to change without notice